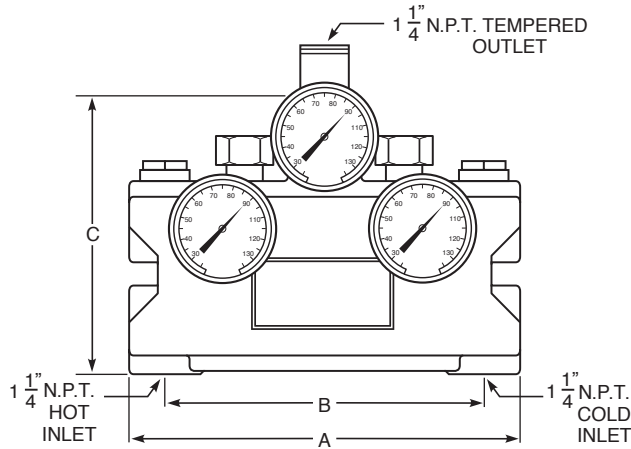


PAT. NO. 5,011,074.
 PAT. NO. 5,379,936.
 PAT. NO. 5,647,531.

Thermostatic Mixing Valve Model TMVM Emergency Showers



Allow for 5" Depth

 ASSE 1071 Approved

ASSE Lead Free
 Certified 

The Emergency Shower Mixing Valve shall employ two fully independent control mechanisms which split the flow in half, blend each half to the design temperature and then integrate each stream at the outlet. The valve shall control outlet temperature over a wide range of flow and shall be suitable for deluge shower or eyewash applications in order to comply with ANSI standard Z358.1-2014. The valve shall include three thermometers to measure the temperature of each stream and the merged flow. Temperature adjustment shall be vandal-resistant.

Each independent control mechanism shall employ a liquid-filled thermostatic motor to drive the valve without additional power requirements. Each control mechanism shall employ a stainless steel sliding piston control device with reverse seat closure and both fixed and variable cold water bypass.

In the event of interruption of the cold water supply, each control mechanism closes off the hot water port, stopping all flow. Positive hot water shut-off.

In the event of interruption of the hot water supply, each control mechanism shall allow cold flow through both the fixed and variable bypass.

In the event that one liquid motor fails, the control mechanism closes off the hot water port with the reverse seat and fully opens the internal variable bypass to allow cold water flow. The other control mechanism will be unaffected by the failure and will maintain design temperature.

Maximum Inlet Pressure: 125 PSI.

Recommended Supply Pressure: 65 PSI.

Recommended Inlet Temperature: 120°F.*

TEMP. RANGE
 70° to 90°F

SET POINT
 85°F



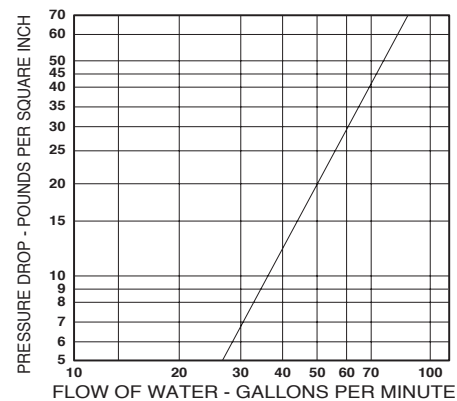
Justrite Safety Group

Helps meet
 ANSI standard
 Z358.1-2014

DIMENSIONS:

Valve Number	A	B	C
TMVM	11"	9"	8"

CAPACITY OF MODEL TMVM THERMOSTATIC MIXING VALVE FOR EMERGENCY SHOWERS



CAPACITIES – MODEL TMVM

Pressure Drop PSI	5	10	20	30	45
Tempered Flow GPM	25	35	50	60	72
Tempered Flow LPM	74	132	189	227	273

BYPASS CAPACITIES - MODEL TMVM

Pressure Drop PSI	5	10	20	30	45
Cold Bypass GPM	14	20	28	40	45
Cold Bypass LPM	53	75	106	151	170

Note: Valve must be installed with check valves. If shut off valves are installed in the shower line for maintenance purposes, provisions shall be made to prevent unauthorized shut off. Hot and cold water inlet pressures must be equal.

Provisions shall be made to thermally isolate the valve.

*When supplying 140°F or greater, additional outlet controls should be used.

Design and specification subject to change without notice.